



A TEREX BRAND

Technical Specification



COLT 800 SCREEN

2 Deck Incline Screen

SPECIFICATION

Total weight: 16,700Kg (36,817lbs)

depending on machine specification

TRANSPORT

Length: 9.22m (30'3")

Width: 2.5m (8'2")

Height: 3.09m (10' 1")

WORKING

Length: 11.11m (36'5")

Width: 14.09m (46'3")

Height: 3.92m (12'10")

Screenunit: 2.77m x 1.22m (9' x 4')

Power unit: Diesel / Hydraulic

Paint colour: Graphite Grey (RAL 7024), Green (RAL 6018), Black (RAL 9005) – for tracks

FEATURES AND BENEFITS

- High capacity up to 280 tph / 308 US tph (depending on mesh sizes & material type)
- Maximum feed size 400mm. Maximum allowable feed size may vary depending on material
- Power unit featuring a transverse engine arrangement to aid access & serviceability
- Heavy duty single shaft incline screenbox with adjustable stroke & speed
- Maximum mobility with heavy duty, low ground pressure crawler tracks
- Removable heavy duty pendant remote control system
- Quick set up time
- High performance hydraulic system - cast iron pumps & motors complete with hydraulic cooler
- Hydraulic slide out facility on tail conveyor, maximum bottom deck access
- Versatile unit for three way splitting, stockpiling or scalping before or after a crusher
- Simple to operate & maintain
- Variable speed hopper featuring impact bars & rollers
- Wide range of screen media available

HOPPER

Target area: 3.54m (11' 7") long x 2.19m (7' 2") wide

Hopper capacity: 2.9m³ (3.8 cu. yd.)

Hopper capacity (2 extensions) 4.7m³ (6.15 cu. yd.)

Hopper extension adds: 0.32m (13")

Feed in height: 3.09m (10' 1")

Rear wall collapsible for direct feeding



HEAVY DUTY BELT FEEDER

1050mm (41") 4 ply plain belt

3.22m (10' 1") drum centres

350mm (14") drum diameter

Heavy duty impact bars & rollers supporting belt

Variable speed control

Supergrip drive drum standard



SCREENBOX

Heavy duty 2.77m x 1.22m (9' x 4') 2 deck screen

Highly aggressive screen drive

2 bearing shaft arrangement complete with direct drive system

Side tension top deck

End tension bottom deck

Variable stroke (10mm - 12mm)

Fixed screen angle: 14°

Top deck media: bofor deck, fingers, punch plate and mesh

Bottom deck media: mesh, fingers

Rubber screen blanket (optional)



COLT 800



UNDERSCREEN CONVEYOR

1050mm (41") wide 3 ply plain belt

2.73m (8' 11") drum centres

216mm (9") diameter drive drum

SCS "tear-drop" style scraper fitted as standard

FINESIZE - SIDE CONVEYOR

650mm (26") wide 3 ply plain belt

7.82m (25' 8") drum centres

216mm (9") diameter drive drum

3.82m (12' 7") stockpile height

83m³ (109 cu. yd.) stockpile volume

Variable speed control

Hydraulically folding

Fixed Angle: 25°

MIDSIZE - SIDE CONVEYORS

650mm (26") wide 3 ply plain belt

5.9m (19' 4") drum centres

216mm (9") diameter drive drum

3.63 (11' 11") stockpile height

72m³ (94 cu. yd.) stockpile volume

Variable speed control

Hydraulically folding

Fixed Angle: 25°

OVERSIZE - TAIL CONVEYOR

1050mm (41") wide 3 ply chevron belt

4.29m (14' 1") drum centres

216mm (9") diameter drive drum

3.03m (9' 11") stockpile height

41m³ (54 cu. yd.) stockpile volume

Variable speed control

Impact slips along full length of conveyor

Hydraulic combined slide out & fold mechanism

Fixed angle: 22°



POWERUNIT & HYDRAULICS

Engine:

DEUTZ TD 2011 L04I 4 cylinder diesel

Performance:

49.4 kW (66.2hp) @ 2300rpm

Engine Options (Tier 4):

CATERPILLAR C3.4

Performance:

55 kW (73.7hp) @ 2300rpm

Tank Capacities:

Fuel: 145 L (132 US Gal)

Hydraulic oil: 500 L (38 US Gal)

Pumps:

Flywheel pump: Cast iron triple pump 27/27/27cc/rev

Motors:

Belt feeder: Cast iron 160cc/rev

Tail conveyor: Cast iron 400cc/rev

Fines conveyor: Cast iron 315cc/rev

Midsize side conveyor: Cast iron 400cc/rev

Oversize tail conveyor: Cast iron 500cc/rev

Underscreen conveyor: Cast iron 400cc/rev

Screen: Cast iron 56cc/rev

CRAWLER TRACK DATA

Track width: 400mm

Approximate speed: 0.7kph (0.43mph) (slow)
1.3kph (0.81mph) (fast)

Single speed version: 0.8kph (0.5mph)

Total flow per track: 60 Lpm

OTHER OPTIONS

Different coloured machine

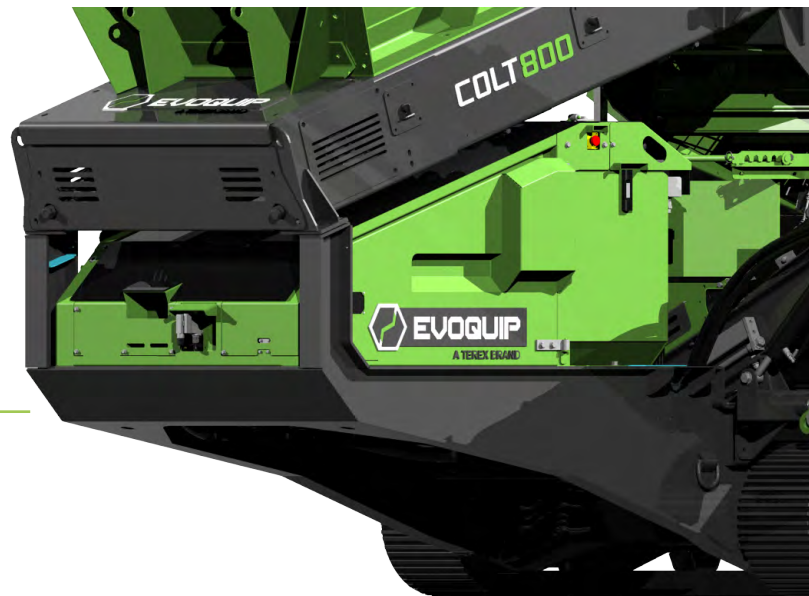
Chevron side conveyor belts

Auto lubrication system

Radio controlled tracking

Quick release wedge screen tensioning

Wide Range of screen media



COLT 800

HOPPER EXTENSIONS

2 of 3.9m x 0.36m (12' 10" x 1' 2") full length Extensions.

Manual folding.

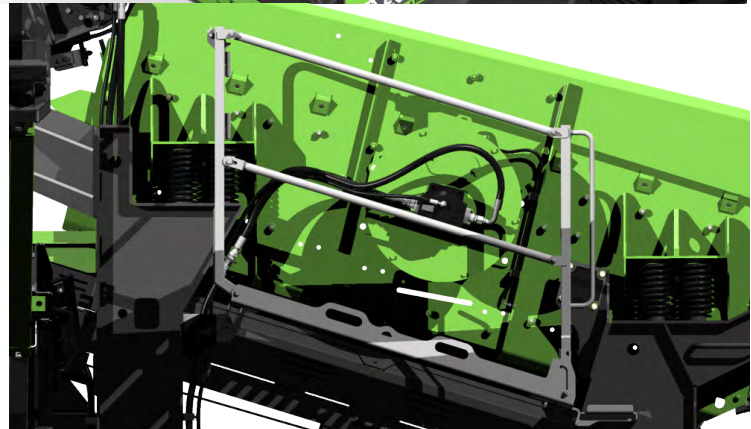
Height increases by 320mm (13")

Hopper capacity: 4.7m³ (6.15 cu. yd.)

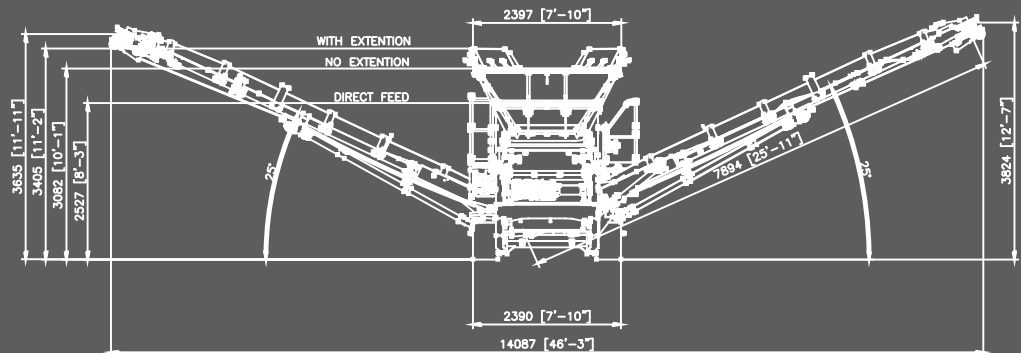
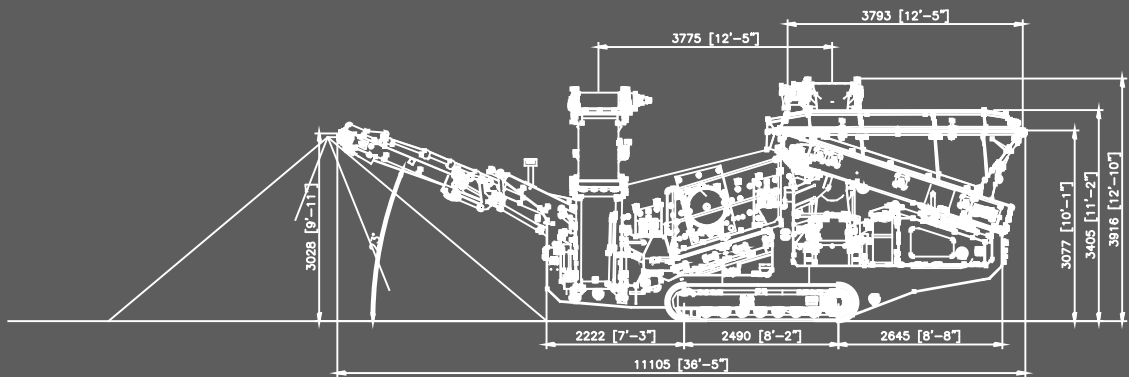
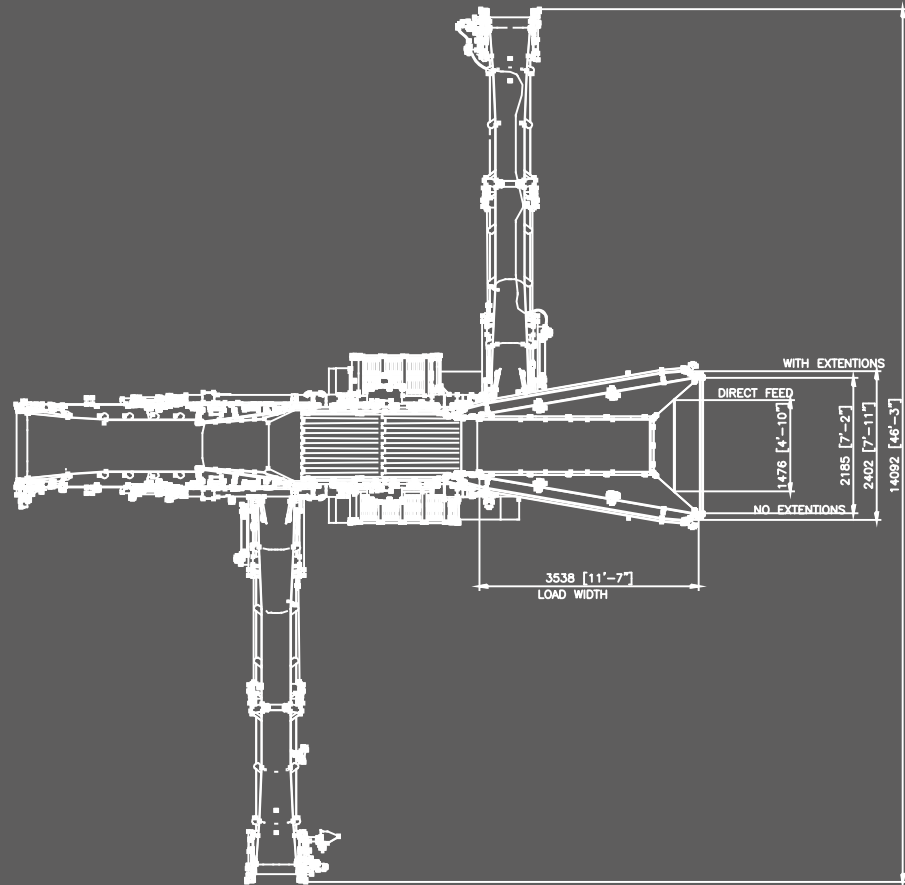
MAINTENANCE PLATFORMS

Galvanised maintenance platforms on both sides of screen.

Handrail included.



WORKING DIMENSIONS



EvoQuip equipment complies with CE requirements.

Please consult EvoQuip if you have any other specific requirements in respect of guarding, noise or vibration levels, dust emissions, or any other factors relevant to health and safety measures or environmental protection needs. On receipt of specific requests, we will endeavour to ascertain the need for additional equipment and, if appropriate, quote extra to contract prices.

All reasonable steps have been taken to ensure the accuracy of this publication, however due to a policy of continual product development we reserve the right to change specifications without notice.

It is the importers' responsibility to check that all equipment supplied complies with local legislation regulatory requirements.

Plant performance figures given in this brochure are for illustration purposes only and will vary depending upon various factors, including feed material gradings and characteristics. Information relating to capacity or performance contained within this publication is not intended to be, nor will be, legally binding.

Terex is a registered trademark of Terex Corporation in the United States of America and many other countries.

EvoQuip is a registered trademark of Terex GB Ltd in the United States of America and many other countries.

200 Coalisland Road
Dungannon
Co. Tyrone
BT714DR
Tel: +44 28 8771 8500
Email: evoquip@terex.com
terex.com/EvoQuip

© Terex Corporation 2016

Follow us:

