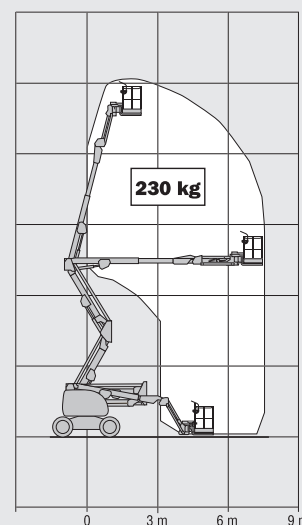


## 450AJ SERIES II ARTICULATING BOOM LIFTS

Platform Height	13.72 m
Horizontal Outreach	7.47 m
Up and Over Height	7.67 m
Swing (non continuous)	360°
Platform Capacity – Unrestricted	230 kg
Platform Rotator (Hydraulic)	170°
Jib – Overall Length	1.24 m
Jib - Range of articulation	145° (+78°/-67°)
A. Platform Size	0.76 m x 1.83 m
B. Overall Width <sup>1</sup>	2.34 m
C. Tailswing (working condition)	Zero
D. Stowed Height	2.29 m
E. Stowed Length	6.71 m
F. Wheelbase	2.34 m
G. Ground Clearance	0.29 m
Machine weight <sup>2</sup>	6,250 kg
Maximum Ground Bearing Pressure	5.0 kg/cm <sup>2</sup>
Drive Speed 4WD	7.2 km/h
Gradeability 4WD	45%
Tyres (Foam Filled)	33/1550 x 16.5
Axle Oscillation	0.20 m
Turning Radius – Inside	2.00 m
Turning Radius – Outside	5.00 m
Diesel Engine	Deutz D2011L03 36.4 kW
Fuel Tank Capacity	64 L
Hydraulic System	121 L
Auxiliary Power	12V DC

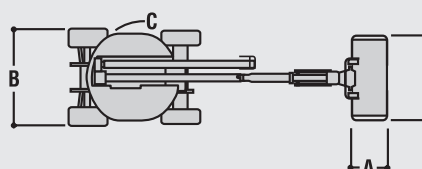
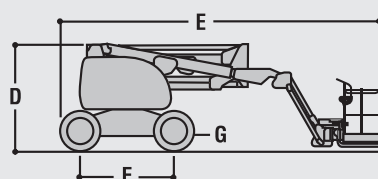


**JLG Industries, Inc. is a leading designer and manufacturer of access equipment and complementary services and attachments.**

JLG has manufacturing facilities in the United States, France, Romania, China and Belgium. Customers throughout Europe, Scandinavia, Africa and the Middle East benefit from a network of dedicated sales and service operations designed to deliver the highest levels of support.

**JLG is an Oshkosh Corporation company.**

[www.jlg-europe.com](http://www.jlg-europe.com)



<sup>1</sup> Overall width reduced by 5 cm with optional 12 x 16.5 tyres

<sup>2</sup> Certain options or country standards may increase weight and/or dimensions.